

Channel Archiver Summary

Christopher A. Larrieu

Thomas Birke

Ron Chestnut

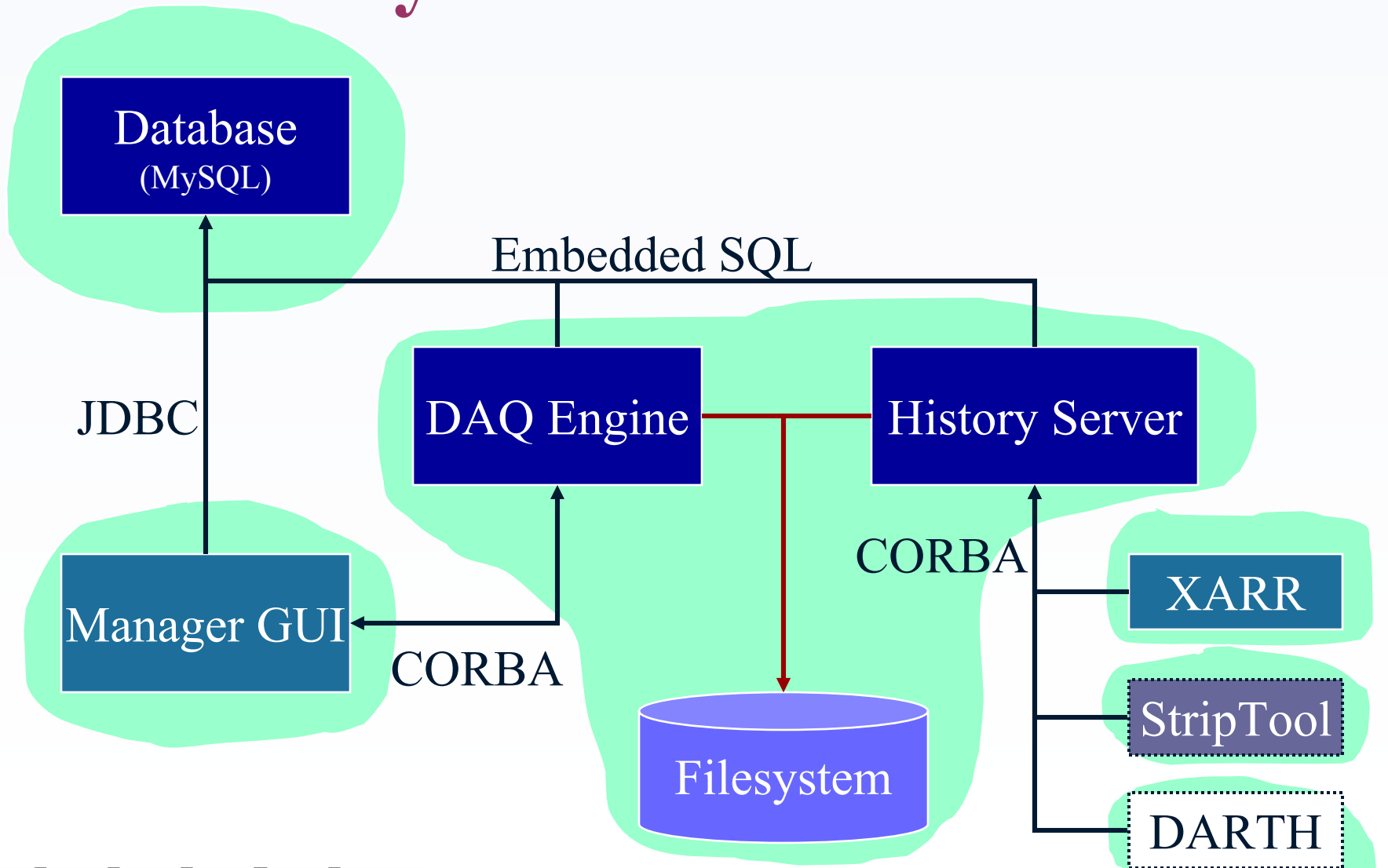


May, 2002

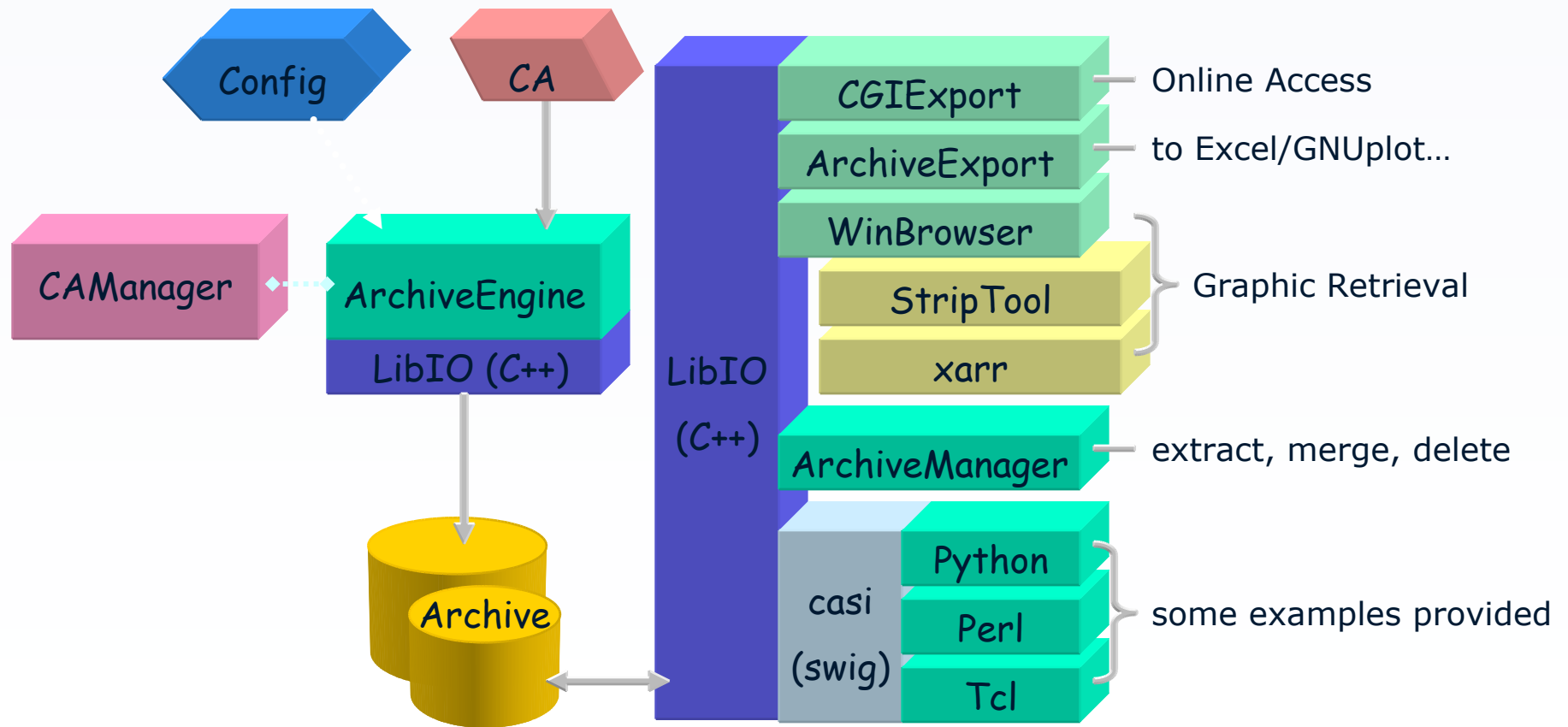
EPICS Collaboration

Controls Group

System Overview



Toolkit Structure



May, 2002

EPICS Collaboration

Controls Group

(non) Decisions

- **Chris to continue ; Steve Hunt will test July target**
- **Thomas and LeeAnn to continue July target**
- **Comparison of engine capabilities needed**
- **Channel Archiver should not require Oracle or CORBA, or CORBA should be supplied too**
- **Look again at performance at next meeting**

